

BREAKING WEAPON OUT OF GLASS

1. Place weapon upside-down in vise and remove the trigger guard screws and masking tape, securing trigger guard.

CAUTION

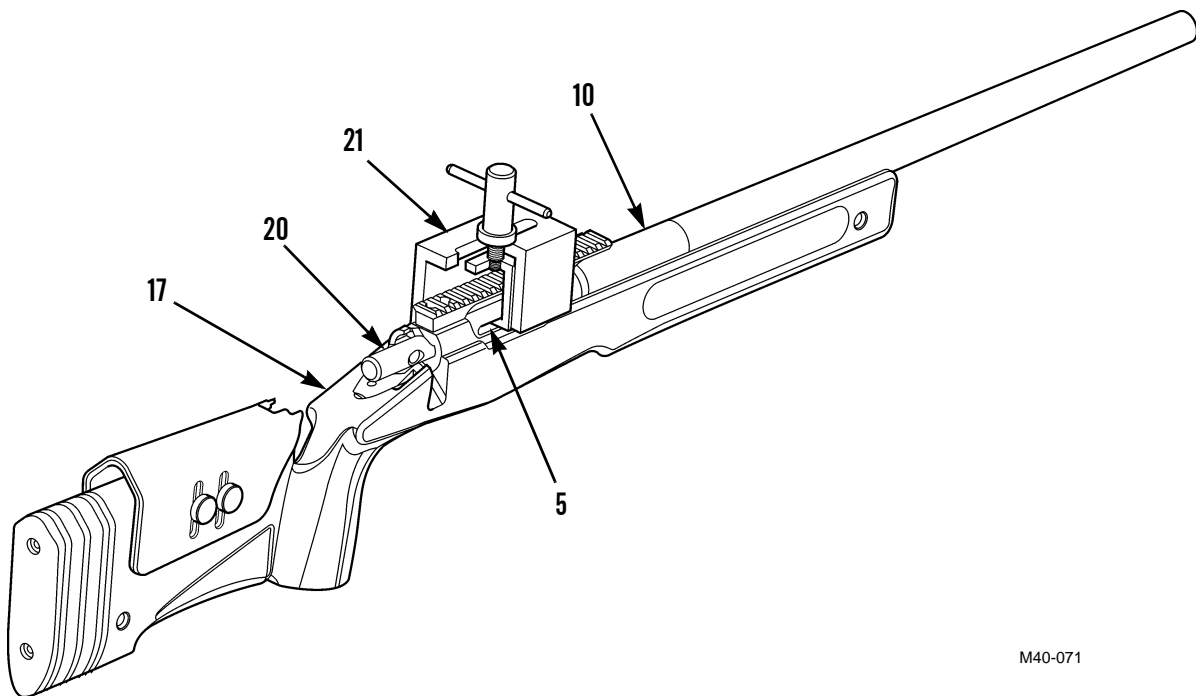
Be careful not to scar receiver or barrel when chipping away epoxy/glass residue.

2. Place the weapon upright in a vise and using a rawhide mallet and a wood chisel, chip away any epoxy/glass residue that will impede removal of the action from the stock.
3. Insert mandrel (20) inside receiver (5) and install action puller (21). Carefully remove barreled action from the stock (17) by turning clockwise and supporting the front of the barrel (10), allowing it to come up and out evenly.

CAUTION

If the barreled action is removed unevenly, it will damage the glass bedding.

4. Lightly tap with rawhide mallet and brass hammer on top of magazine well/trigger guard assembly to release assembly from stock.



M40-071